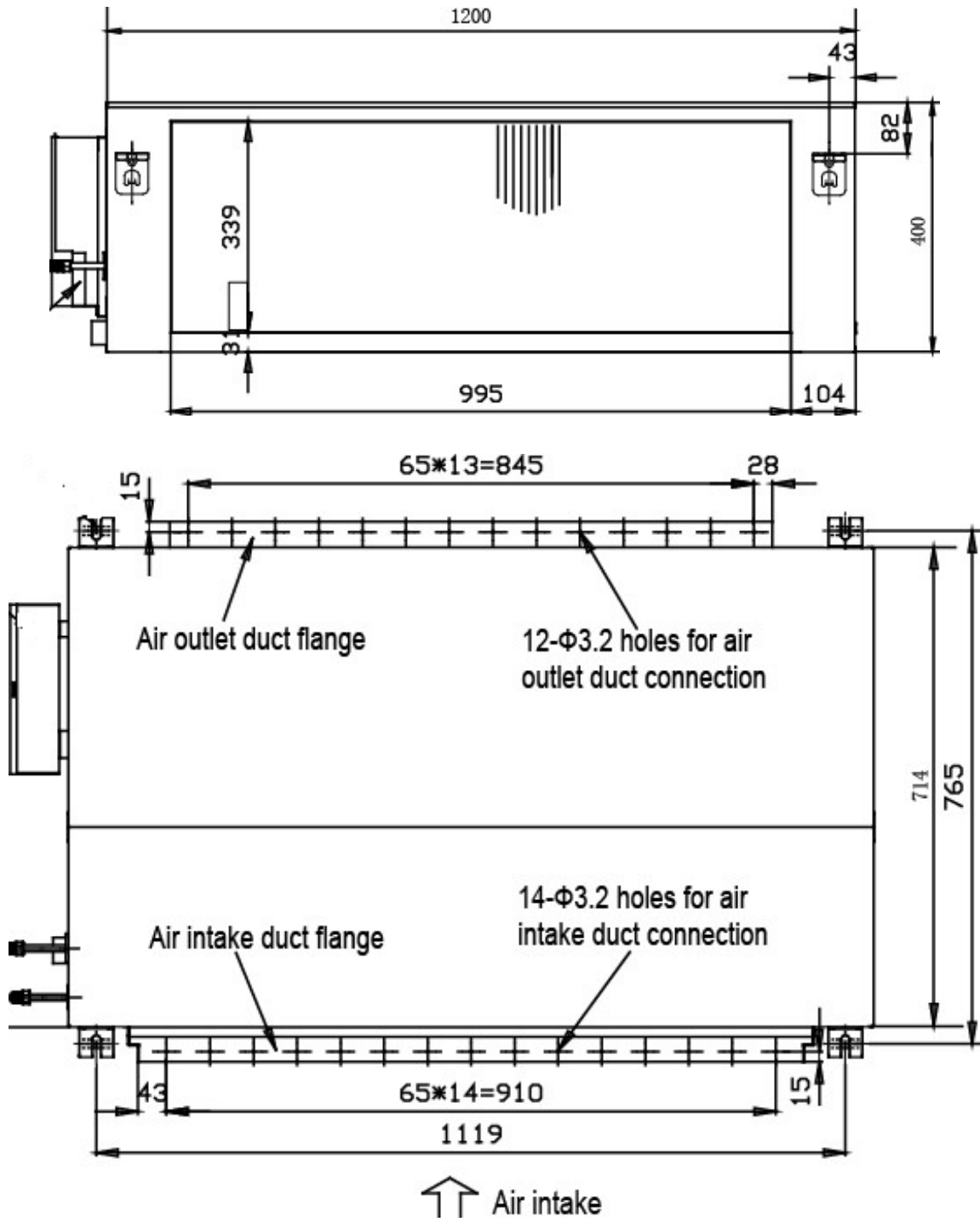
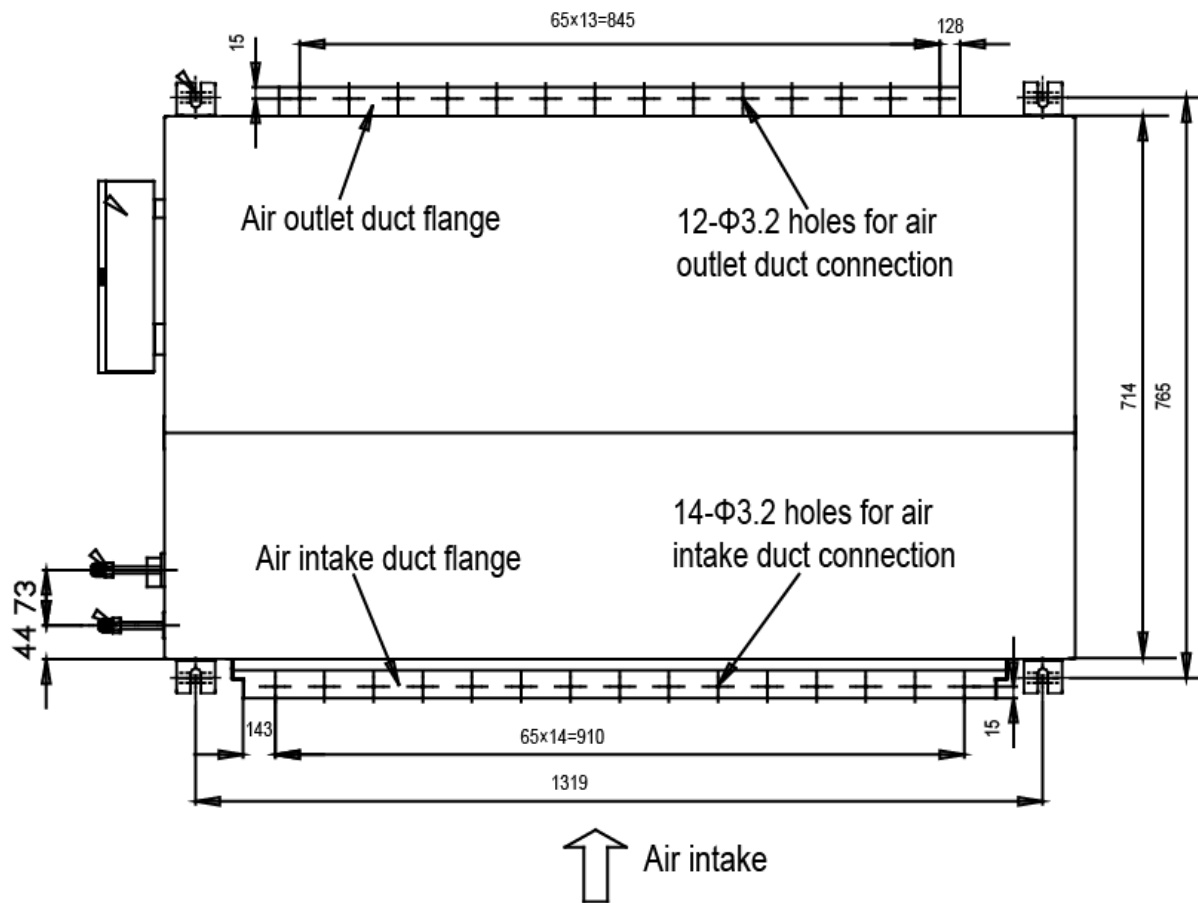
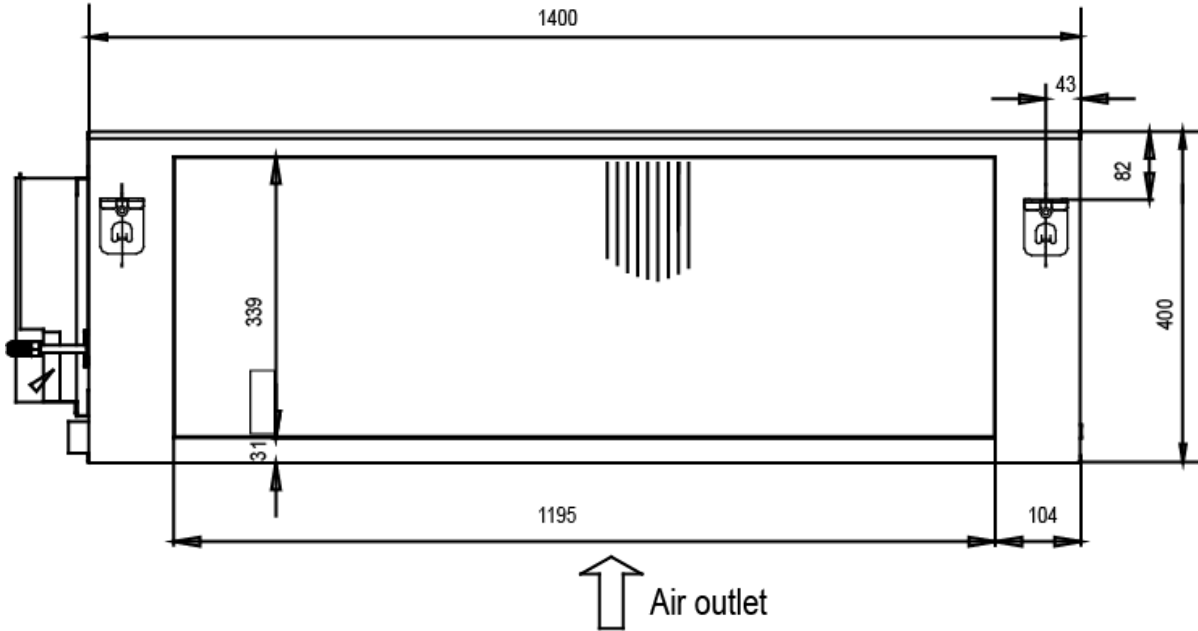
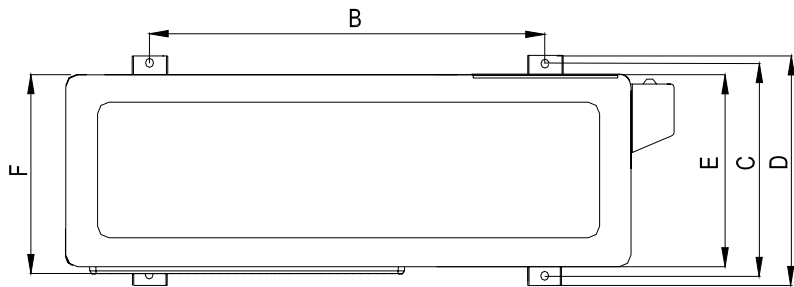
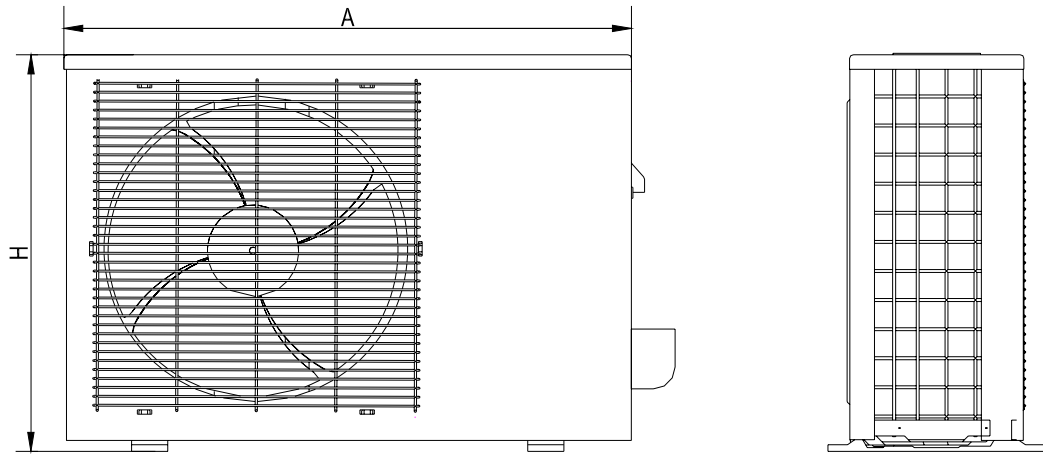


### H-VAV-11



# H-VAV-15





Model	Unit : mm						
	A	B	C	D	E	F	H
H-INV-7	895	590.3	33.3	55.3	02.3	13.8	62
H-INV-11	990	624	366	396	340	354.9	66
H-INV-15	940	600	375	400	340	360	1245

