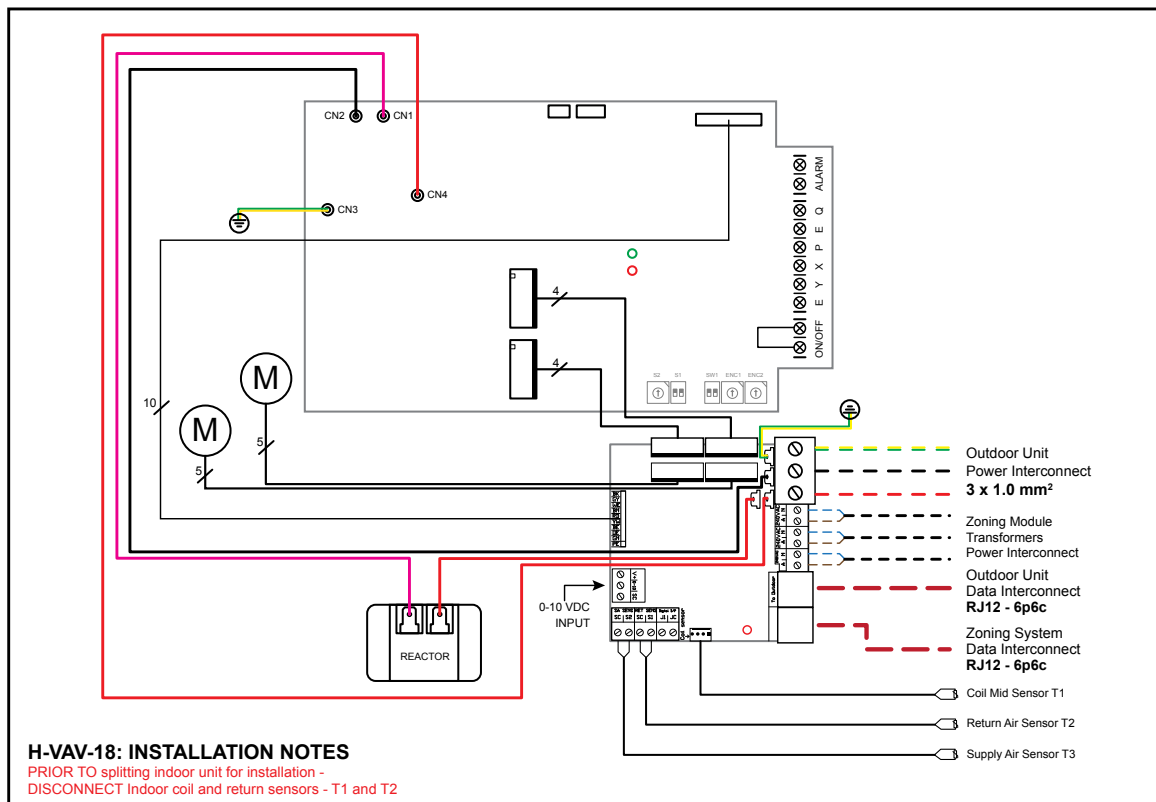
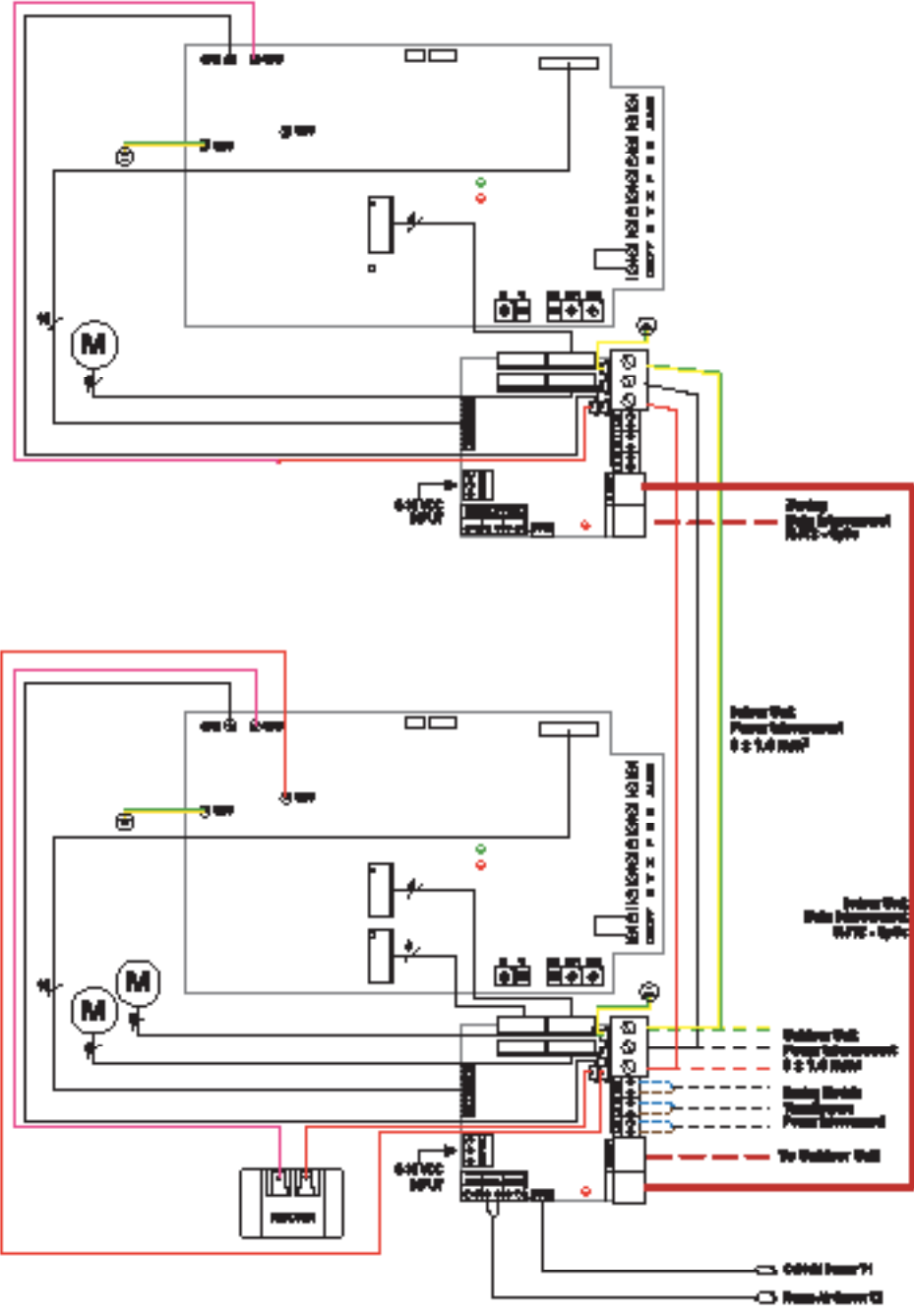


## 2.4 Electrical Circuit

- All control wiring to touchpads and motors is by RJ12 type connectors, with the exception of the 24 VAC supply to the Livezi Connect main modules. Refer to Appendix B for control cable crimping instructions.
- Shielded cable is recommended for all data connections to minimise the possibility of external interference.
- Data cables are to be kept the maximum practical distance from any LV power supply cables  $\geq 240$  volts (Minimum distance 300 mm).
- Maximum cable length is not to exceed 50 m.  
Suggested cabling: Livezi supplies and recommends the following cable:  
RM-CAB-6-100 - six core flat cable for damper motors  
RM-CAB-S-100 - five core + shield flat cable for all data connections and touchpads.

### 2.4.1 Connection Diagrams





**H-304-332: INSTALLATION NOTES**  
 PUMP TO-PUMP/INDEX AND INDEX TO INDEX -  
 SWITCHES NOT TO BE USED FOR INDEX TO INDEX - T1 and T2