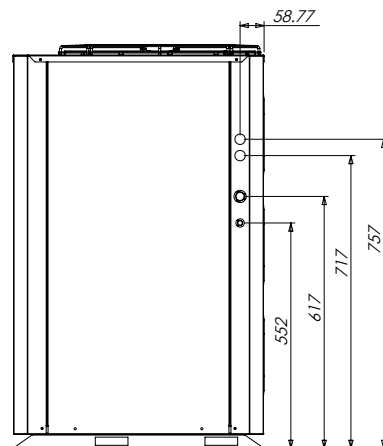
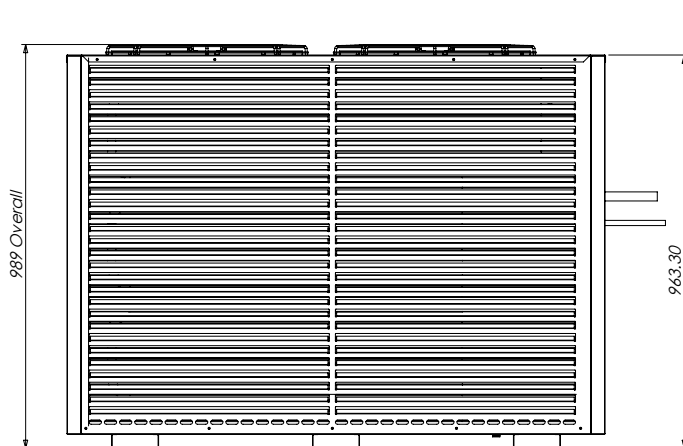
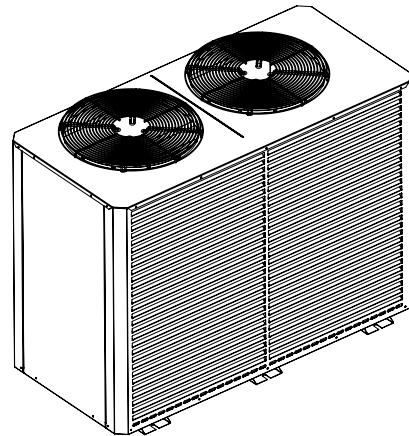
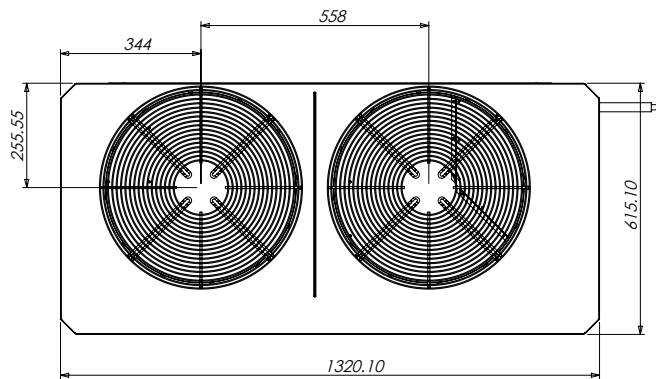
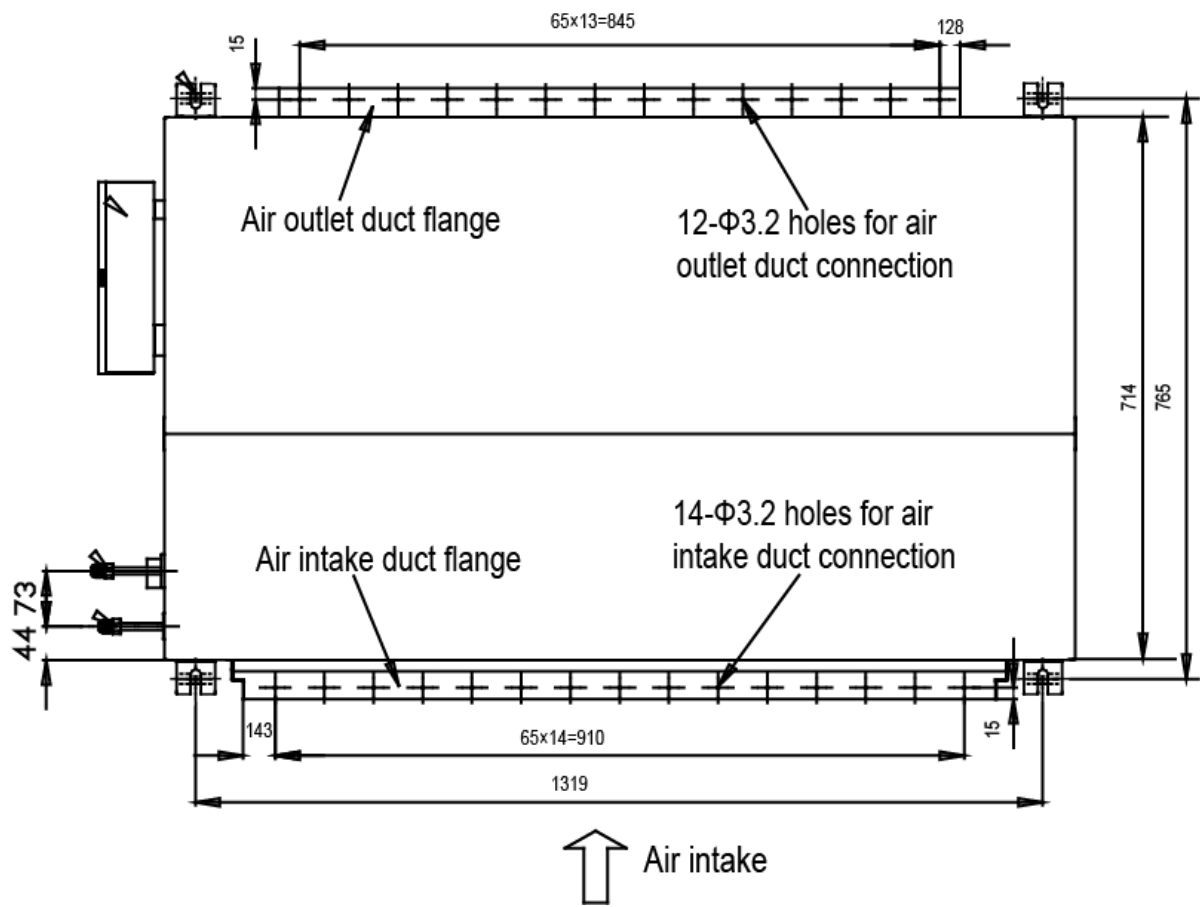
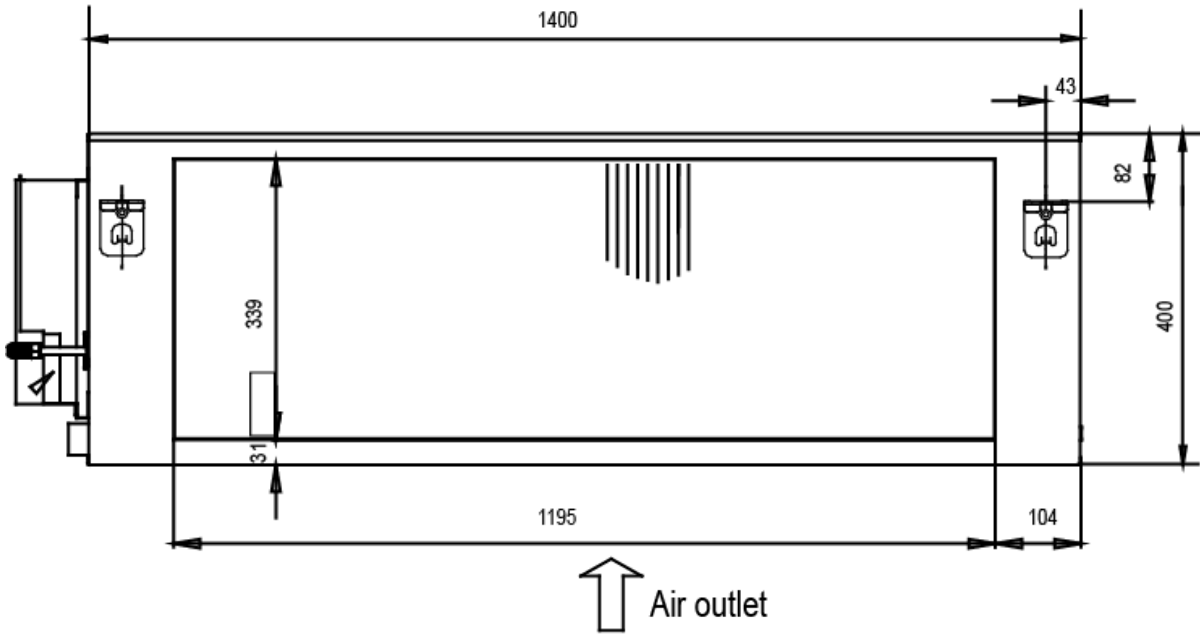


### 2.1.2 Required clearance for Digital Outdoor Units

SYSTEM MODEL		H-DIG-18, H-DIG-22, H-DIG-26	
Direction	Required Clearance	Outdoor Unit Plan View	
1 Plain Back	0 mm		
2 Compressor Access	850 mm		
3 Condenser Coil	500 mm		
4 Fan Access	850 mm		
5 Height Clearance	2500 mm		



# H-VAV-18



### H-VAV-22 & H-VAV-26

